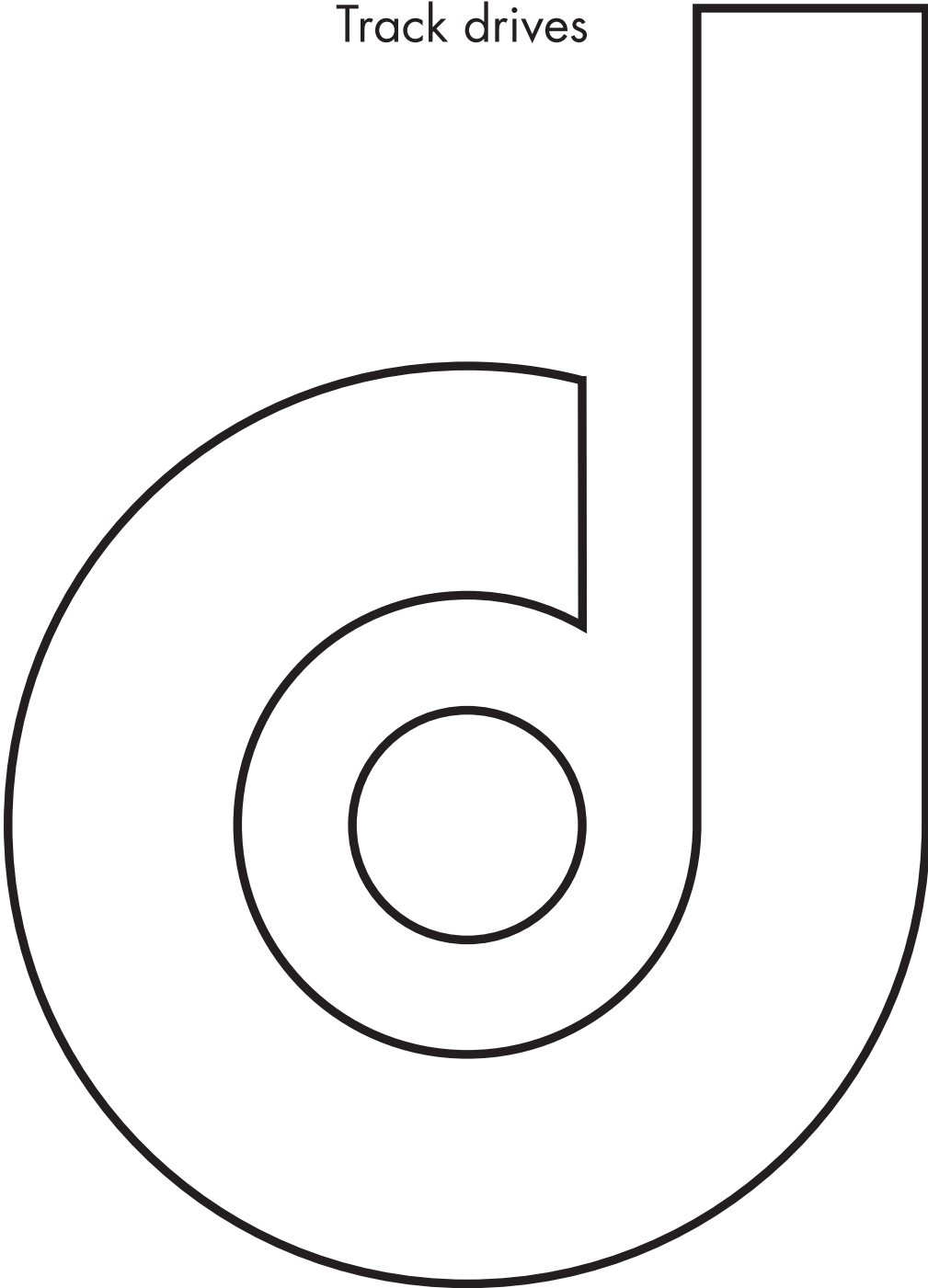
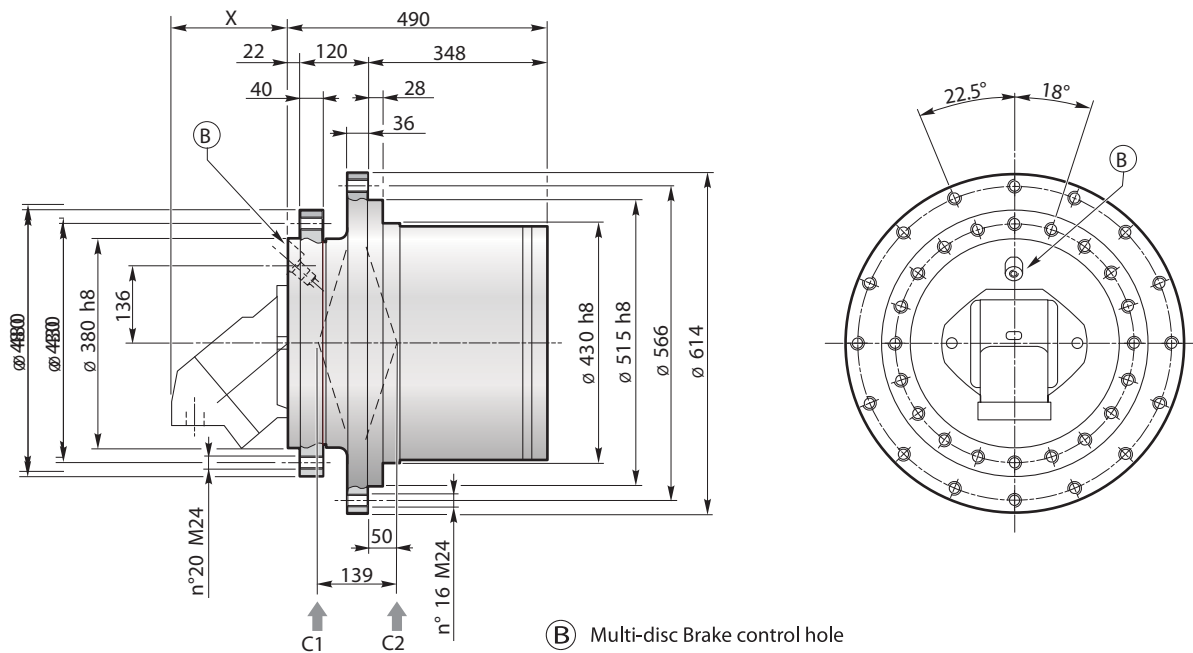


Track drives



TECHNICAL DATA

| Size | Maximum output torque [Nm] | Capacity of bearing [kN] | |
|--------------------|-------------------------------|-----------------------------|--------------|
| | | Cd dynamic | Co static |
| EH 10000 SC | 100000 | 512 | 1080 |
| EH 13000 SC | 150000 | 512 | 1080 |
| EH 16000 SC | 170000 | 765 | 1660 |
| EH 22000 SC | 240000 | 765 | 1660 |
| EH 26000 SC | 280000 | 1080 | 2360 |
| EH 33000 SC | 350000 | 1120 | 2550 |
| EH 33000 W | 350000 | 1120 | 2550 |
| EH 45000 SC | 450000 | 1120 | 2550 |
| EH 60000 SC | 685000 | 1380 | 3050 |
| EH 70000 SC | 865000 | 1380 | 3050 |



Equipped with Hydraulic motor

| | | | | | |
|--------------|---------|--------------|---------|--------------|---------|
| VOAC F12-60 | X = 146 | VOAC F12-80 | X = 157 | VOAC F12-110 | X = 175 |
| SAUER 51C060 | X = 207 | SAUER 51C080 | X = 212 | SAUER 51C110 | X = 219 |

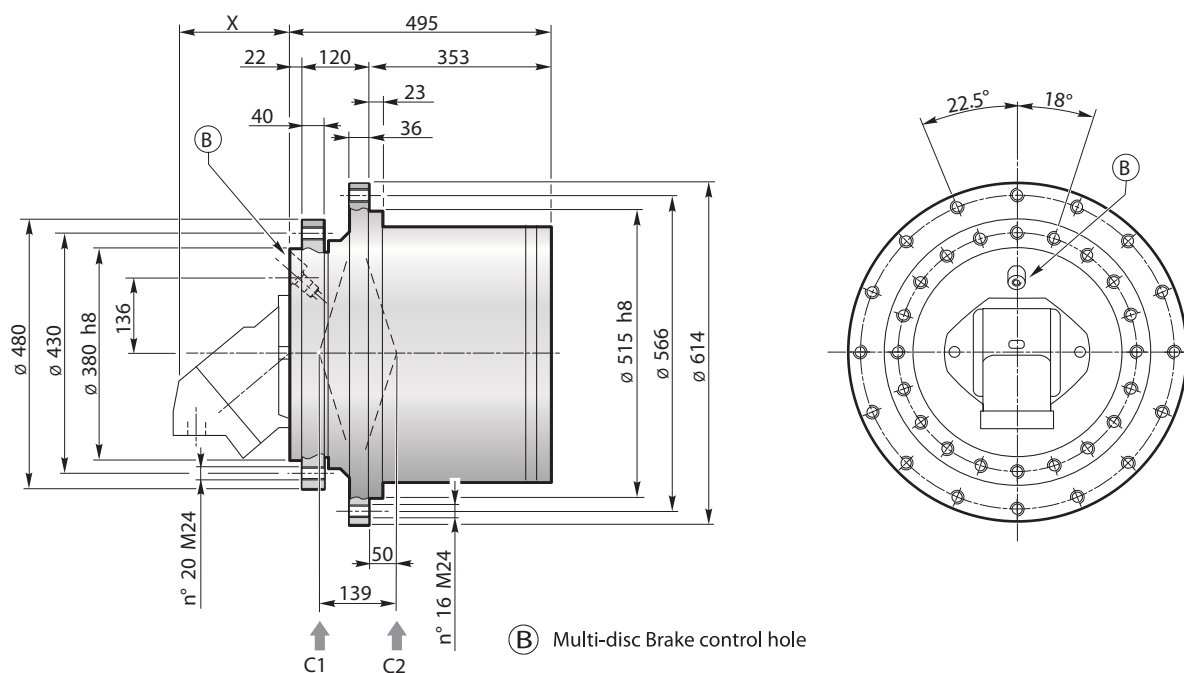
Different input execution available on demand.

Output dimension

| Maximum output torque | Capacity of bearings | | Weight without motor | Oil Quantity | Brake torque | Opening pressure | Max. brake pressure |
|-----------------------|----------------------|------------------|----------------------|--------------|--------------|------------------|---------------------|
| | Cd dynamic [kN] | CO static [kN] | | | | | |
| [Nm] | | | [kg] | [liters] | [Nm] | [bar] | [bar] |
| 100000 | 512 | 1080 | 410 | 6.5 | 1500÷460 | 42÷17 | 300 |

Effective Reduction Ratio

| | | | | | | | |
|-------|-------|-------|-------|-------|-------|-------|-------|
| 76.1 | 86 | 101.3 | 114.4 | 124.2 | 132.4 | 140.2 | 153.9 |
| 173.7 | 185.4 | 209.3 | | | | | |



Equipped with Hydraulic motor

| | | | | | |
|--------------|---------|--------------|---------|--------------|---------|
| VOAC F12-80 | X = 157 | VOAC F12-110 | X = 175 | | |
| SAUER 51C080 | X = 212 | SAUER 51C110 | X = 219 | SAUER 51C160 | X = 240 |

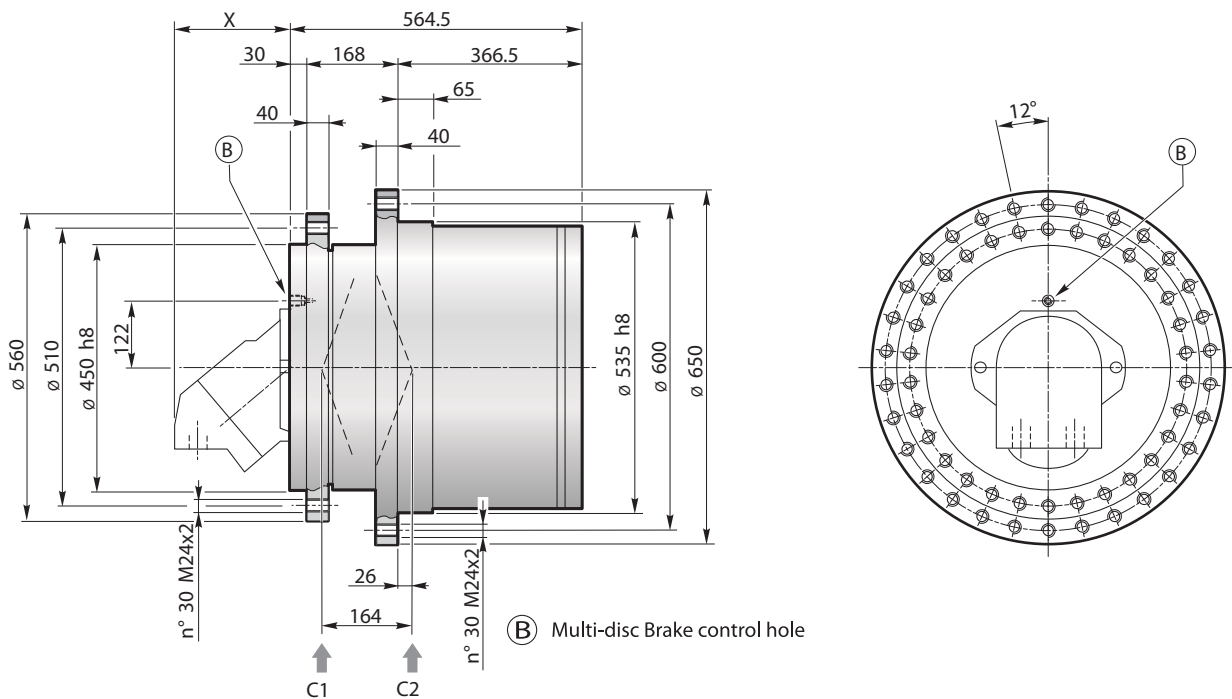
Different input execution available on demand.

Output dimension

| Maximum output torque | Capacity of bearings | | Weight without motor | Oil Quantity | Brake torque | Opening pressure | Max. brake pressure |
|-----------------------|----------------------|------------------|----------------------|--------------|--------------|------------------|---------------------|
| | Cd dynamic [kN] | CO static [kN] | | | | | |
| [Nm] | | | [kg] | [liters] | [Nm] | [bar] | [bar] |
| 150000 | 512 | 1080 | 440 | 7.5 | 2200÷650 | 42÷17 | 300 |

Effective Reduction Ratio

| | | | | | | | |
|-------|-------|-------|-------|-------|-----|-------|-----|
| 76.1 | 86 | 101.3 | 114.4 | 124.2 | 131 | 140.2 | 149 |
| 168.1 | 175.3 | 197.8 | 214.8 | 242.3 | | | |



Equipped with Hydraulic motor

| | | | | | |
|--------------|---------|--------------------|---------|--|--|
| VOAC F12-110 | X = 175 | VOAC F11-150 CETOP | X = 307 | | |
| SAUER 51C110 | X = 219 | SAUER 51C160 | X = 240 | | |

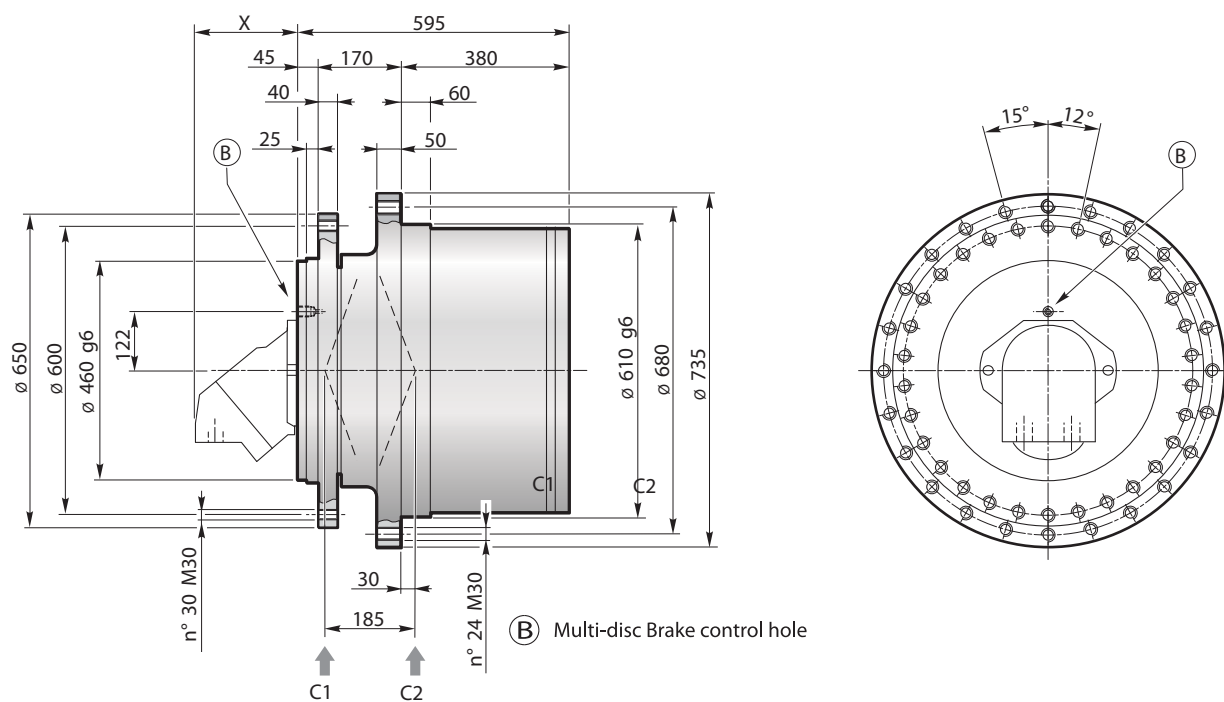
Different input execution available on demand.

Output dimension

| Maximum output torque | Capacity of bearings | | Weight without motor | Oil Quantity | Brake torque | Opening pressure | Max. brake pressure |
|-----------------------|----------------------|------------------|----------------------|--------------|--------------|------------------|---------------------|
| | Cd dynamic [kN] | CO static [kN] | | | | | |
| [Nm] | | | [kg] | [liters] | [Nm] | [bar] | [bar] |
| 170000 | 765 | 1660 | 680 | 11.5 | 2200±700 | 50±20 | 300 |

Effective Reduction Ratio

| | | | | | | | |
|-------|-------|-------|-------|-------|-----|-------|-------|
| 85.2 | 96.2 | 109.2 | 123.2 | 141.7 | 160 | 182.1 | 188.4 |
| 212.6 | 227.8 | 257.1 | | | | | |



Equipped with Hydraulic motor

| | | | |
|--------------------|---------|--------------|---------|
| VOAC F11-150 CETOP | X = 307 | VOAC F11-250 | X = 431 |
| SAUER 51C160 | X = 239 | SAUER 51V250 | X = 460 |

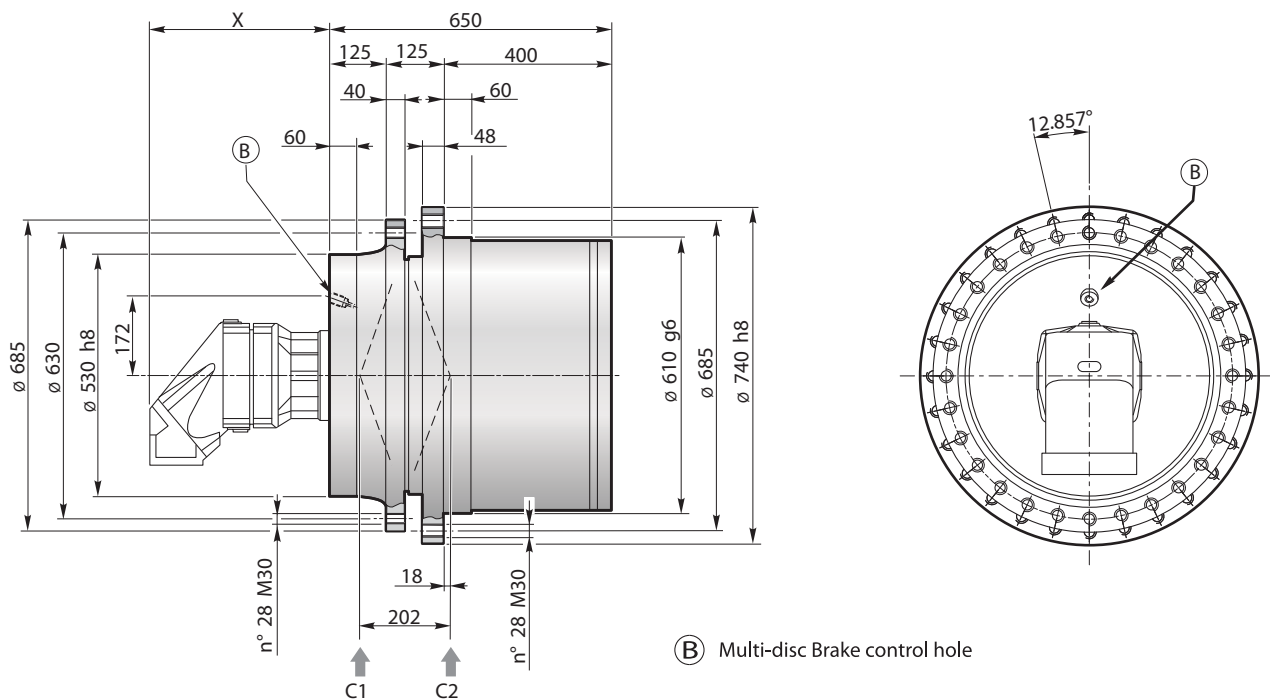
Different input execution available on demand.

Output dimension

| Maximum output torque | Capacity of bearings | | Weight without motor | Oil Quantity | Brake torque | Opening pressure | Max. brake pressure |
|-----------------------|----------------------|------------------|----------------------|--------------|--------------|------------------|---------------------|
| | Cd dynamic [kN] | C0 static [kN] | | | | | |
| [Nm] | | | [kg] | [liters] | [Nm] | [bar] | [bar] |
| 240000 | 765 | 1660 | 880 | 15 | 2350÷950 | 50÷20 | 300 |

Effective Reduction Ratio

| | | | | | | | |
|-------|------|-------|-------|-------|-------|-------|-------|
| 86.6 | 97.6 | 112.6 | 127.1 | 142.7 | 151.9 | 161.1 | 168.1 |
| 182.3 | 211 | 223.3 | 252 | | | | |



Equipped with Hydraulic motor

| | | | |
|--------------|---------|--------------|---------|
| VOAC F11-250 | X = 431 | | |
| SAUER 51V250 | X = 460 | SAUER 51C160 | X = 239 |

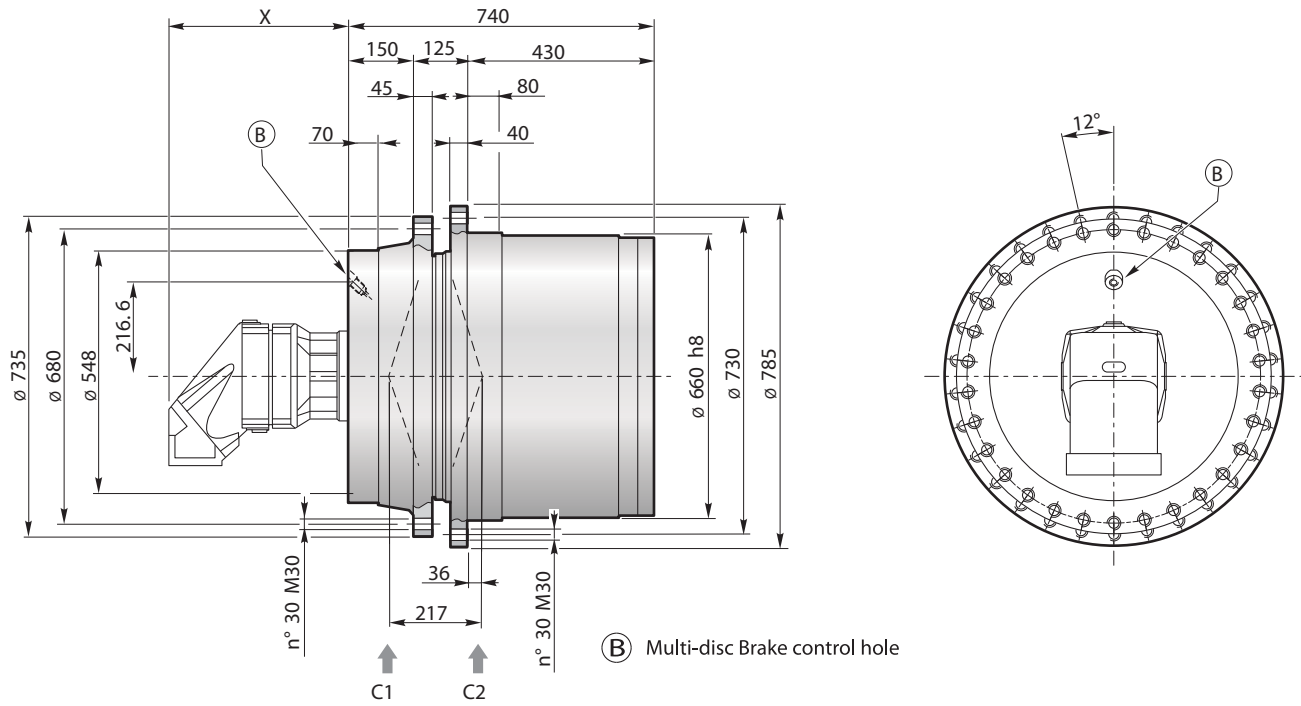
Different input execution available on demand.

Output dimension

| Maximum output torque | Capacity of bearings | | Weight without motor | Oil Quantity | Brake torque | Opening pressure | Max. brake pressure |
|-----------------------|----------------------|------------------|----------------------|--------------|--------------|------------------|---------------------|
| | Cd dynamic [kN] | C0 static [kN] | | | | | |
| [Nm] | | | [kg] | [liters] | [Nm] | [bar] | [bar] |
| 280000 | 1080 | 2360 | 980 | 18 | 2500÷1100 | 50÷20 | 300 |

Effective Reduction Ratio

| | | | | | | | |
|-------|------|-------|-------|-------|-------|-------|-------|
| 86.6 | 97.6 | 112.6 | 127.1 | 142.7 | 151.9 | 161.1 | 168.1 |
| 182.3 | 211 | 223.3 | 252 | | | | |



Equipped with Hydraulic motor

| | | | | | |
|--------------|---------|--|--|--|--|
| VOAC F11-250 | X = 431 | | | | |
| SAUER 51V250 | X = 460 | | | | |

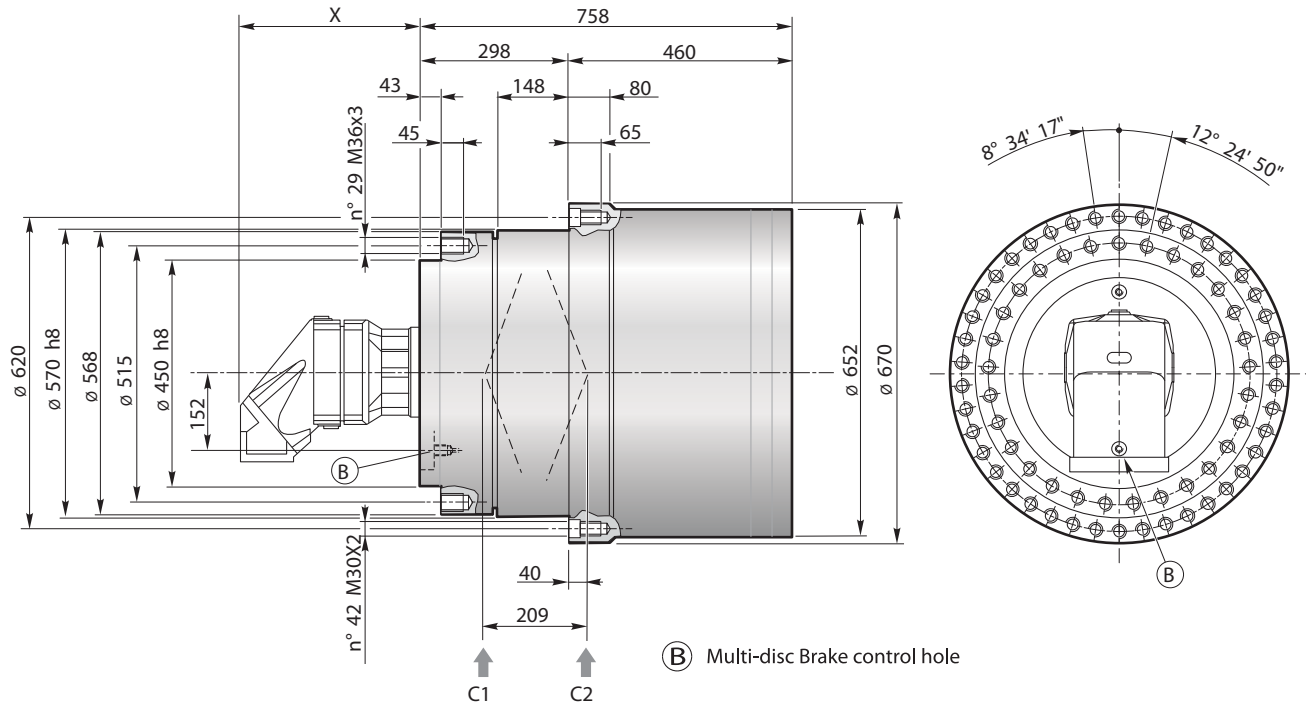
Different input execution available on demand.

Output dimension

| Maximum output torque | Capacity of bearings | | Weight without motor | Oil Quantity | Brake torque | Opening pressure | Max. brake pressure |
|-----------------------|----------------------|------------------|----------------------|--------------|--------------|------------------|---------------------|
| | Cd dynamic [kN] | C0 static [kN] | | | | | |
| [Nm] | | | [kg] | [liters] | [Nm] | [bar] | [bar] |
| 350000 | 1120 | 2550 | 1280 | 21 | 3550÷1350 | 40÷20 | 300 |

Effective Reduction Ratio

| | | | | | | | |
|------|-------|-------|-------|-------|-------|-------|-------|
| 86.6 | 97.6 | 112.6 | 127.1 | 142.7 | 151.9 | 161.1 | 182.3 |
| 211 | 223.3 | 252 | | | | | |



Equipped with Hydraulic motor

| | |
|--------------|---------|
| VOAC F11-250 | X = 431 |
| SAUER 51V250 | X = 460 |

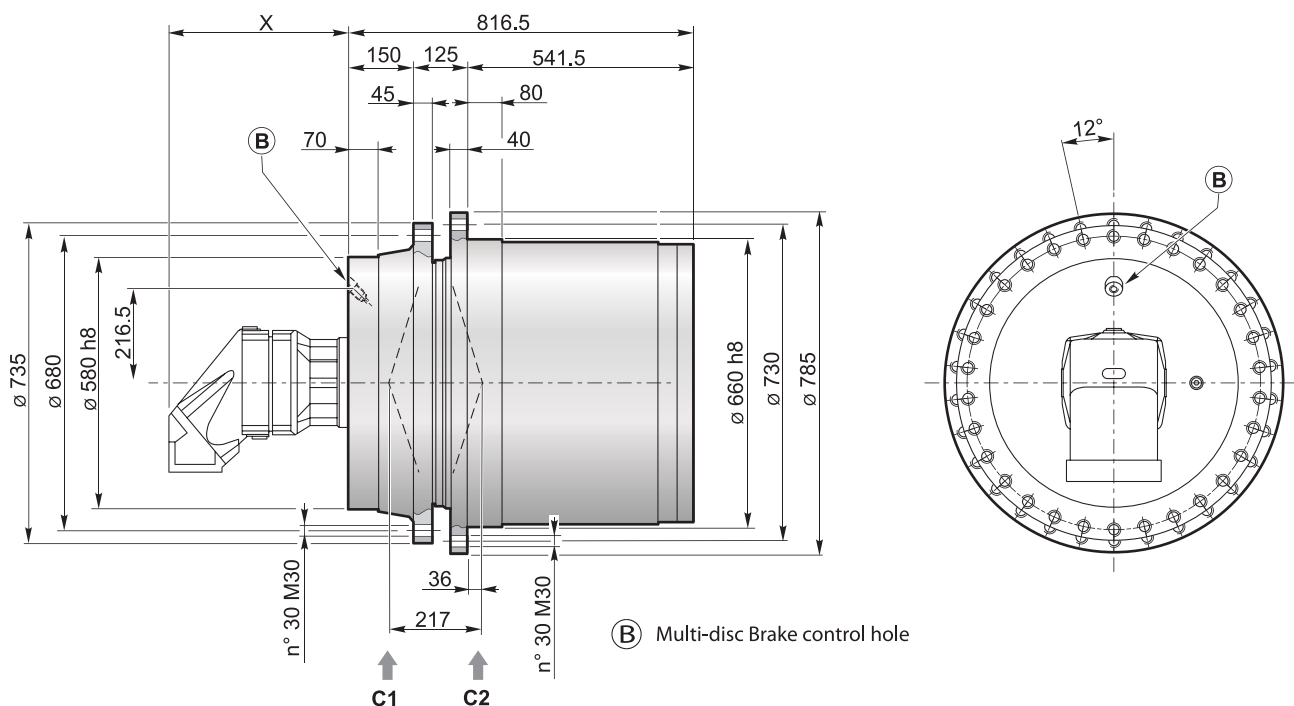
Different input execution available on demand.

Output dimension

| Maximum output torque | Capacity of bearings | | Weight without motor | Oil Quantity | Brake torque | Opening pressure | Max. brake pressure |
|-----------------------|----------------------|------------------|----------------------|--------------|--------------|------------------|---------------------|
| | Cd dynamic [kN] | CO static [kN] | | | | | |
| [Nm] | | | [kg] | [liters] | [Nm] | [bar] | [bar] |
| 350000 | 1120 | 2550 | 1280 | 25 | 3550÷1350 | 40÷20 | 300 |

Effective Reduction Ratio

| | | | | | | | |
|------|-------|-------|-------|-------|-------|-------|-------|
| 86.6 | 97.6 | 112.6 | 127.1 | 142.7 | 151.9 | 161.1 | 182.3 |
| 211 | 223.3 | 252 | | | | | |



Equipped with Hydraulic motor

| | | | | | |
|--------------|---------|--|--|--|--|
| VOAC F11-250 | X = 431 | | | | |
| SAUER 51V250 | X = 460 | | | | |

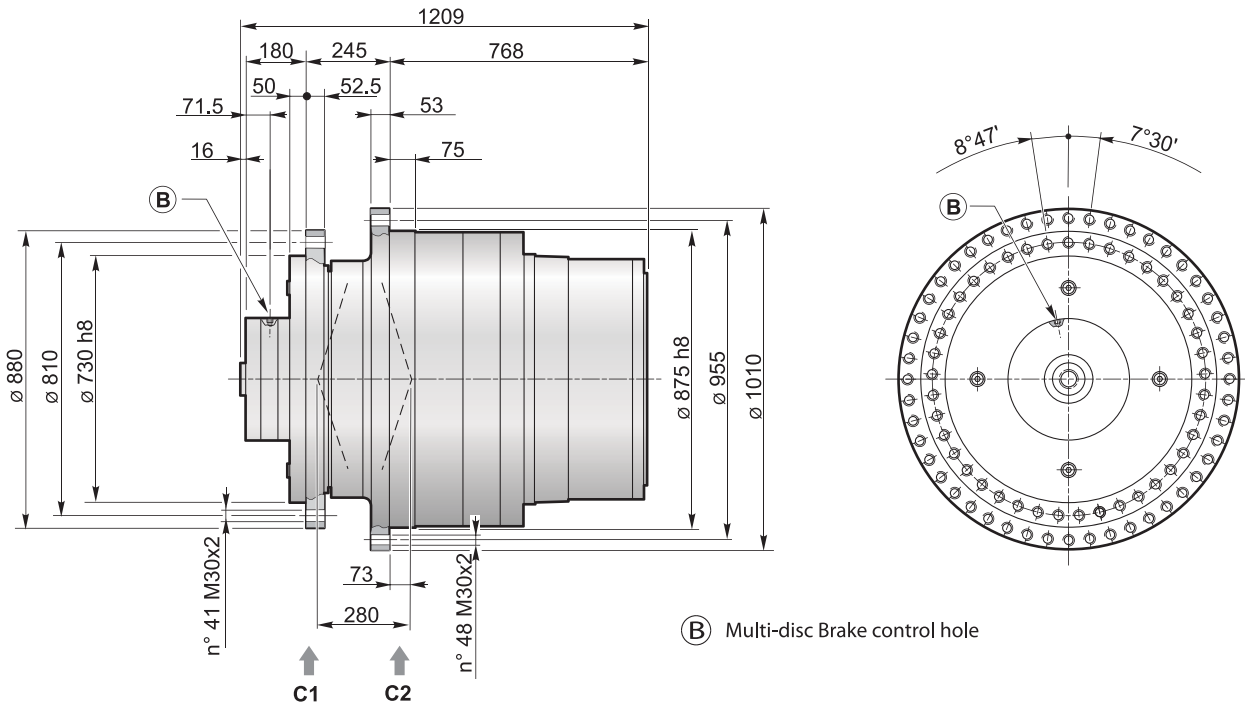
Different input execution available on demand.

Output dimension

| Maximum output torque | Capacity of bearings | | Weight without motor | Oil Quantity | Brake torque | Opening pressure | Max. brake pressure |
|-----------------------|----------------------|------------------|----------------------|--------------|--------------|------------------|---------------------|
| | Cd dynamic [kN] | C0 static [kN] | | | | | |
| [Nm] | | | [kg] | [liters] | [Nm] | [bar] | [bar] |
| 450000 | 1120 | 2550 | 1560 | 24 | 3750÷1500 | 40÷20 | 300 |

Effective Reduction Ratio

| | | | | | | | |
|------|------|-------|-------|-------|-------|-------|-------|
| 85.2 | 95.9 | 110.7 | 132.3 | 140.3 | 158.8 | 183.8 | 219.6 |
|------|------|-------|-------|-------|-------|-------|-------|



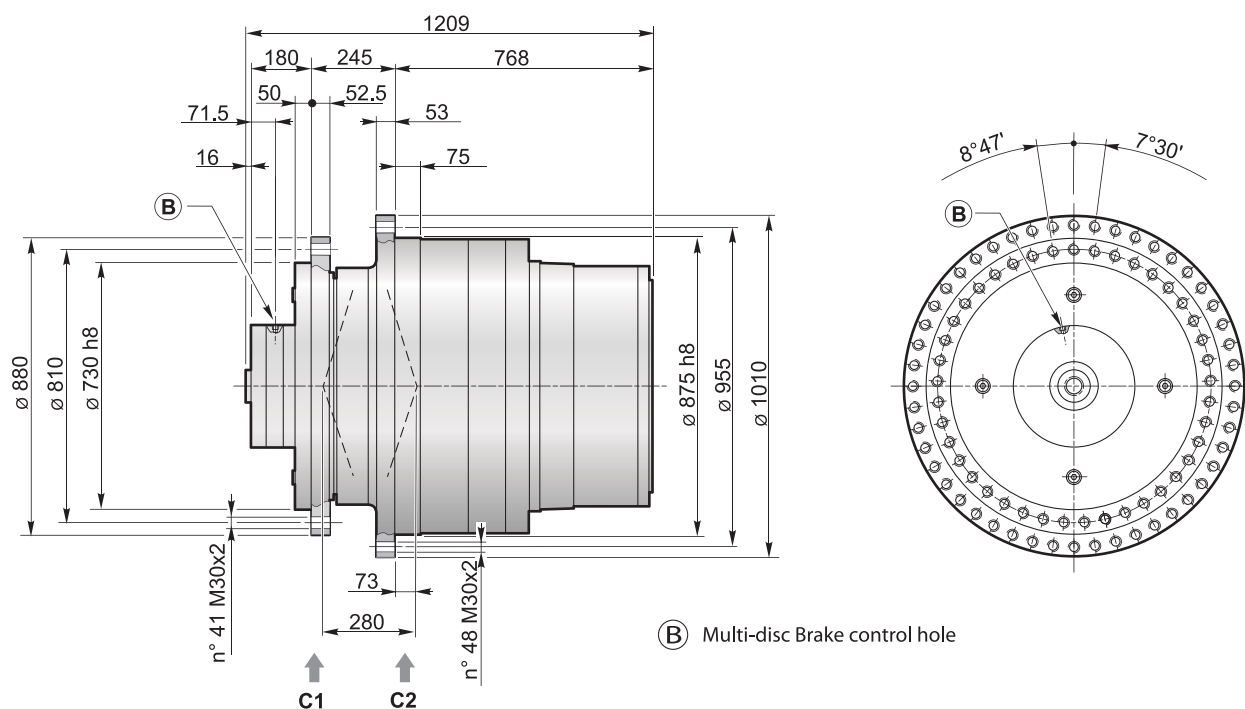
Hydraulic motor input on demand

Output dimension

| Maximum output torque | Capacity of bearings | | Weight without motor | Oil Quantity | Brake torque | Opening pressure | Max. brake pressure |
|-----------------------|----------------------|------------------|----------------------|--------------|--------------|------------------|---------------------|
| | Cd dynamic [kN] | CO static [kN] | | | | | |
| [Nm] | | | [kg] | [liters] | [Nm] | [bar] | [bar] |
| 685000 | 1380 | 3050 | 3120 | 50 | 4000÷1300 | 30÷20 | 300 |

Effective Reduction Ratio

| | | | |
|-------|-------|-------|-----|
| 330.7 | 373.1 | 442.3 | 499 |
|-------|-------|-------|-----|



Hydraulic motor input on demand

Output dimension

| Maximum output torque | Capacity of bearings | | Weight without motor | Oil Quantity | Brake torque | Opening pressure | Max. brake pressure |
|---------------------------|----------------------|------------------|----------------------|--------------|--------------|------------------|---------------------|
| | Cd dynamic [kN] | C0 static [kN] | | | | | |
| [Nm] | | | [kg] | [liters] | [Nm] | [bar] | [bar] |
| 865000 | 1380 | 3050 | 3120 | 50 | 4000÷1700 | 30÷20 | 300 |
| Effective Reduction Ratio | | | | | | | |
| 287 | 323.8 | 368.6 | 415.8 | 437.7 | 493.7 | | |

BCH9 ©; 5 ©

©; 5 ©BCH9G

Tutti i contenuti riportati nel presente catalogo sono stati controllati; in caso di eventuali errori viene comunque declinata ogni responsabilità.

Dinamic Oil si riserva la facoltà di modificare senza preavviso i dati tecnici riportati.

Per ulteriori informazioni contattare il servizio tecnico commerciale Dinamic Oil S.p.A.

All information in this catalogue has been checked; in case of possible mistakes, we decline all responsibility.

Dinamic Oil reserves the right to amend the technical data of this catalogue without prior notice.

For all further information please contact Dinamic Oil S.p.A. Commercial Department.



dinamic oil

dinamicoil.com

Dinamic Oil S.p.A.

Via Togliatti, 15
41030 Bomporto - MO - Italy
T: +39 059 812611
F: +39 059 812603
E: info@dinamicoil.it
dinamicoil.com

Dinamic Oil Norway A/S

Lindebergveien, 3
2016 Frogner - Norway
T: +47 63 82 50 40
F: +47 63 82 50 41
E: DinamicOil.Norway@dinamicoil.com

Dinamic Oil India Pvt. Ltd.

Sales Office:
909 (9th Floor) Devika Tower
6-Nehru Place
110019 New Delhi - India
T: +91 (11) 40166567
E: india@dinamicoil.com

Dinamic Oil France

ZI Montbertrand BP 3612
38236 Charvieu Cedex - France
T: +33 (0) 472 462 318
F: +33 (0) 472 462 327
E: dinamicoil@orange.fr

Dinamic Oil North America Inc.

511 Eagleton Downs Drive
Charlotte - NC
28134 - USA
T: +1 704 587 4600
F: +1 980 939 6297
E: info.usa@dinamicoil.com

**Dinamic Oil (Shanghai)
Machinery Co. Ltd.**

Building 2, N°128 Lane 168 Dieqiao Rd.
Kangqiao Industry Park Pudong
201319 Shanghai – China
T: 0086 21 6818 7100
F: 0086 21 6818 7107
E: info@dinamicoil.com.cn

Dinamic Oil Deutschland GmbH

Frankfurter Straße 151 b
D - 63303 Dreieich-Sprendlingen
T: +49 (0) 6103 2024593
F: +49 (0) 6103 8077239
E: verkauf@dinamicoil.de

Dinamic Oil Asia Pacific Pte. Ltd.

47L Tuas South Avenue, 1
637249 - Singapore
T: +65 6791 0802
F: +65 6791 2661
E: sales@dinamicoilap.com.sg

戴纳密克（上海）机械有限公司

中国上海浦东康桥工业园区
叠桥路168弄128号2栋1楼
邮编：201319
电话：0086 21 6818 7100
传真：0086 21 6818 7107
邮件：info@dinamicoil.com.cn